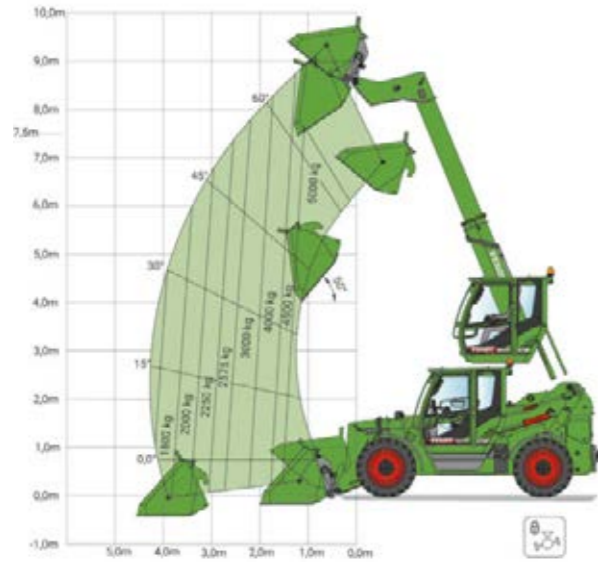


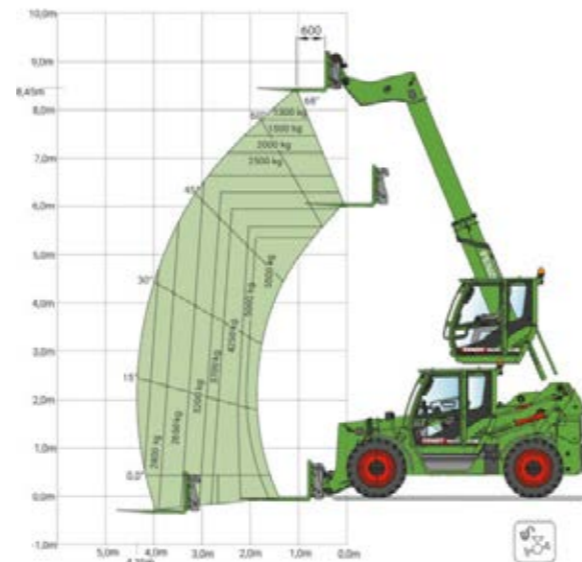
Technical specifications.

CARGO T955



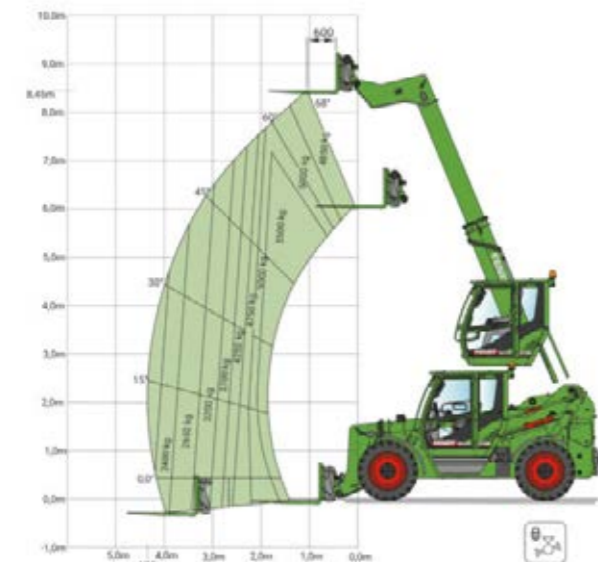
Payload and working range

Without hydraulic levelling / with swing axle lock
Operation with bucket



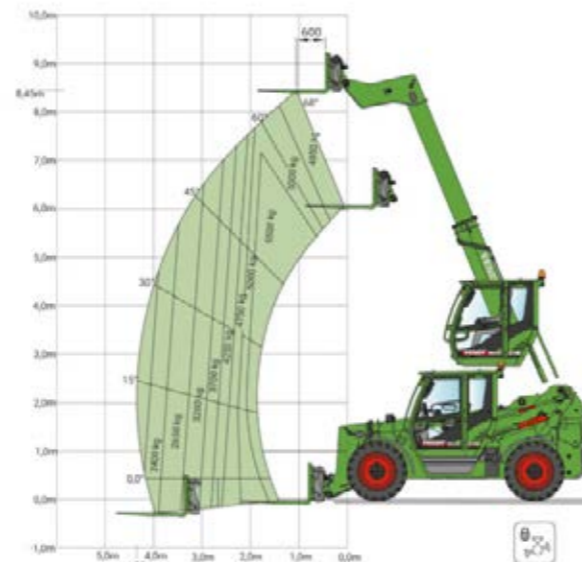
Load capacity and working range

Without hydraulic levelling / without swing axle lock
Operation with lifting fork



Load capacity and working range

Without hydraulic levelling / with swing axle lock
Operation with lifting fork



Load capacity and working range

With hydraulic levelling / with swing axle lock
Operation with lifting fork

Performance characteristics

Max. stack height	mm	8500
Max. load (LSP 600 mm)	kg	5500
Max. load at max. height	kg	4850
Max. load at max. outreach	kg	2400
Tractive power	kN	90
Breakaway torque on the bucket	kN	85

Engine

Rated power ECE R 120	kW/hp	123 / 167
Maximum power ECE R 120	kW/hp	126 / 171
No. of cylinders	Number	4
Cubic capacity	cm ³	4500
Rated speed	rpm	2200
Max. torque at 1200 rpm	Nm	763
Fuel level	litres	160
AdBlue tank	litres	16

Transmission

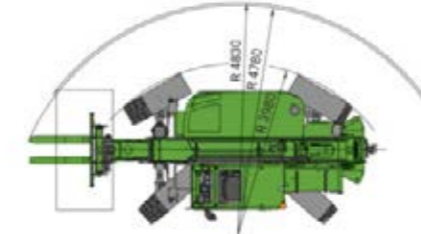
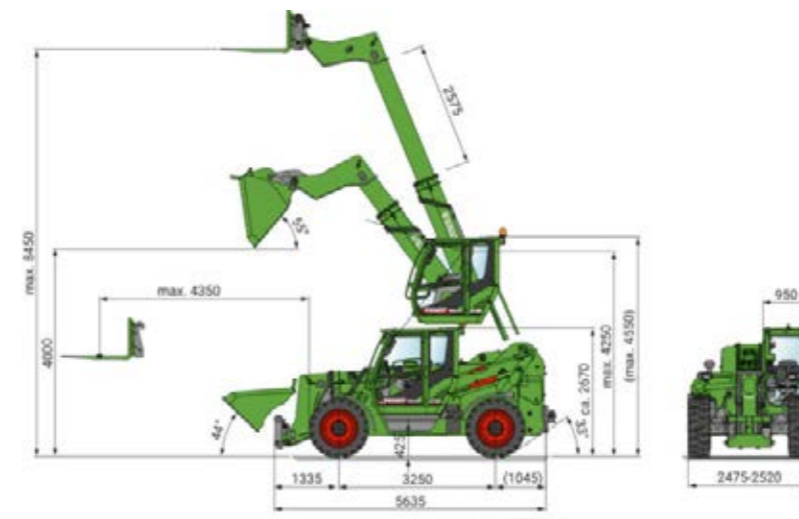
Transmission type	Hydrostatic transmission	
Max. road speed, standard	km/h	20
Max. road speed, Option 1	km/h	30
Max. road speed, Option 2	km/h	40

Hydraulics

Powershift variable flow pump	l/min	200
Working pressure	bar	310

Weights

Unladen weight (standard equipment, full tanks, with driver)	kg	11800
--	----	-------



Dimensions / turning radius
in mm