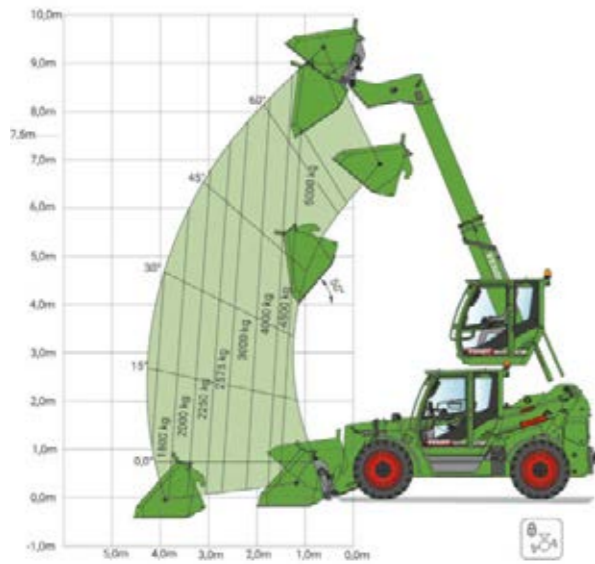
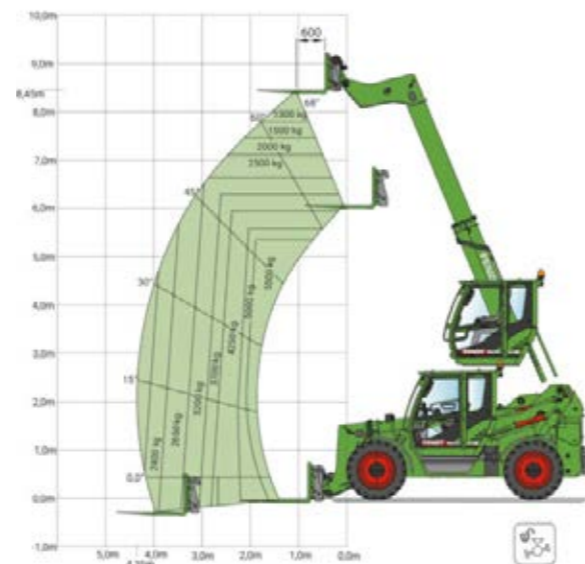


# Technical specifications.



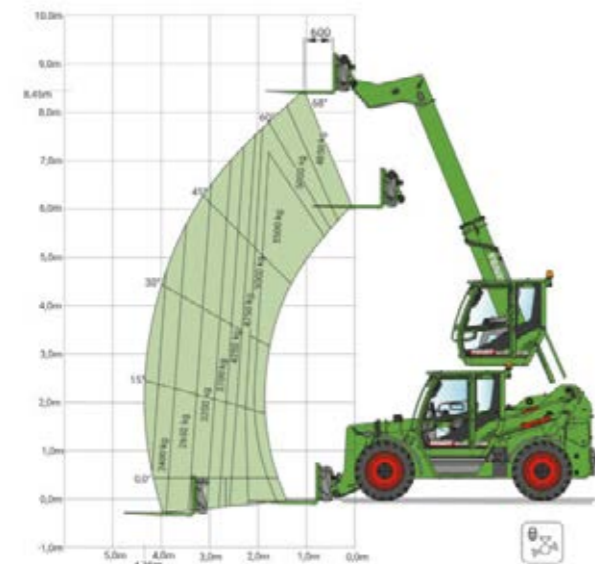
**Payload and working range**

Without hydraulic levelling / with swing axle lock  
Operation with bucket



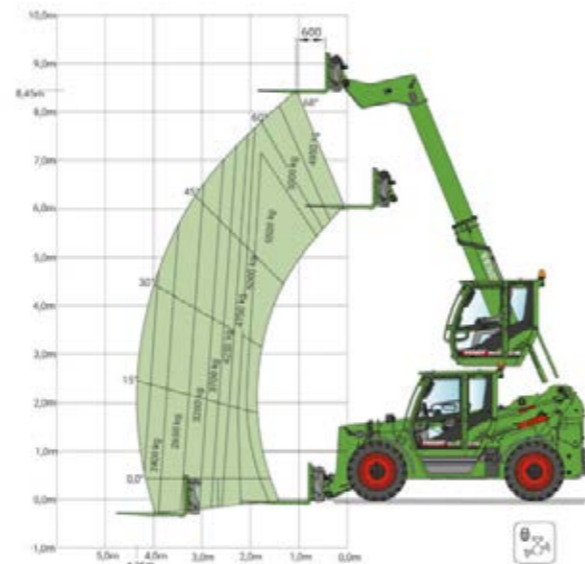
**Load capacity and working range**

Without hydraulic levelling / without swing axle lock  
Operation with lifting fork



**Load capacity and working range**

Without hydraulic levelling / with swing axle lock  
Operation with lifting fork



**Load capacity and working range**

With hydraulic levelling / with swing axle lock  
Operation with lifting fork

Performance characteristics		
Max. lift height	mm	8500
Max. load (LSP 600 mm)	kg	5500
Max. load at max. height	kg	4850
Max. load at max. outreach	kg	2400
Max. extension	mm	4350
Tractive power	kN	90
Breakaway torque on the bucket	kN	85

Engine		
Rated power ECE R 120	kW/hp	123/167
Maximum power ECE R 120	kW/hp	126/171
No. of cylinders	Number	4
Cubic capacity	cm <sup>3</sup>	4500
Rated speed	rpm	2200
Max. torque at 1200 rpm	Nm	763
Fuel level	litres	160.0
AdBlue level	litres	16.0

Transmission		
Transmission type		CompactDrive
Max. road speed, standard	km/h	20
Max. road speed, Option 1	km/h	30
Max. road speed, Option 2	km/h	40
Max. road speed, reverse	km/h	20 (30/40)

Hydraulics		
Powershift variable flow pump	l/min	200
Working pressure	bar	310
Flow capacity of auxiliary hydraulics 1 (on boom head)	l/min	100
Flow capacity of auxiliary hydraulics 2 (optional, at rear)	l/min	65
Flow capacity of auxiliary hydraulics 3 (optional, on boom head)	l/min	100

**CARGO T955**

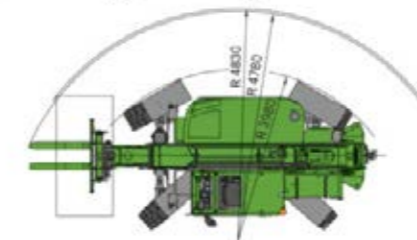
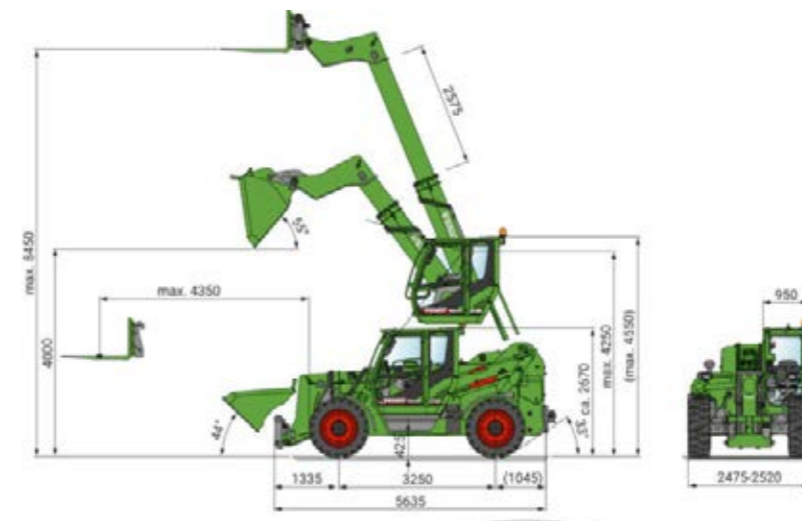
**CARGO T955**

Electrical features		
Batteries	Number	2
Battery power	Ah/V	105 / 24

Tyres		
Standard tyres		460/70 -24
1. Optional tyres		500/70 R24
2. Optional tyres		600/55 -26.5

Dimensions		
Overall length including tool carrier	mm	5635
Overall height, cab down	mm	2670
Overall height, cab up	mm	4550
Overall width with standard tyres	mm	2475
Overall width with max. tyres	mm	2750
Cab width	mm	950
Distance from middle of front axle to front of tool carrier	mm	1335
Distance from middle of rear axle to rear of machine	mm	1045
Max. ground clearance	mm	425
Wheelbase	mm	3250
Track width	mm	2050
Rear startup angle	°	33
Min. turning radius with standard tyres	m	3.98

Weights		
Unladen weight (standard equipment, full tanks, with driver)	kg	11800
Max. trailer load of towing hitch	kg	3000
Max. trailer load of towing hitch, height-adjustable (optional)	kg	15000



**Dimensions / turning radius in mm**